

深圳市丽晶微电子科技有限公司

SHEN ZHEN ELITE CHIP MICROCUIT CO.,LTD

CS:6278-2FF0 15 秒延时 IC 芯片

- 1、芯片工作电压，DC2.2-5.5V。
- 2、两路电平信号输出，一路输出低电平，一路输出高电平，上电不工作，一个按键控制，触发一下，两路信号同步工作，延时 15 秒，时间到自动停止工作，重新触发重新工作 15 秒。工作中触发无效。
- 3、极限参数

ABSOLUTE MAXIMUM RATING

Supply voltage (Vdd).....	- 0.3V ~ 6.0V
Input in voltage (Vin).....	Vss – 0.2V ~ Vdd + 0.2V
Operating ambient temperature (Topr)	
EC2501DS,	-20℃ ~ + 85℃
Storage ambient temperature (Tstor)	-40℃ ~ + 125℃

4、 电气参数

(All of voltages refer to Vss, Vdd = 5.0V, Fosc = 4MHz, Fcpu=1MHz, ambient temperature is 25°C unless otherwise note.)

PARAMETER	SYM.	DESCRIPTION	MIN.	TYP.	MAX.	UNIT	
Operating voltage	Vdd	Normal mode, Vpp = Vdd, 25°C, Fcpu = 1MHz	2.2	-	5.5	V	
RAM Data Retention voltage	Vdr		1.5	-	-	V	
*Vdd rise rate	Vpor	Vdd rise rate to ensure internal power-on reset	0.05	-	-	V/ms	
Input Low Voltage	ViL1	All input ports	Vss	-	0.3Vdd	V	
	ViL2	Reset pin	Vss	-	0.2Vdd	V	
Input High Voltage	ViH1	All input ports	0.7Vdd	-	Vdd	V	
	ViH2	Reset pin	0.8Vdd	-	Vdd	V	
Reset pin leakage current	Ilekg	Vin = Vdd, 25°C	-	-	2	uA	
I/O port input leakage current	Ilekg	Pull-up resistor disable, Vin = Vdd	-	-	2	uA	
I/O port pull-up resistor	Rup	Vin = Vss, Vdd = 3V	100	200	300	KΩ	
		Vin = Vss, Vdd = 5V	50	100	180		
I/O output source current sink current	IoH	Vop = Vdd – 0.5V	8	15	-	mA	
	IoL	Vop = Vss + 0.5V	8	15	-		
*INTn trigger pulse width	Tint0	INT0 interrupt request pulse width	2/fcpu	-	-	cycle	
Supply Current	Idd1	Run Mode (No loading, Fcpu = Fosc/4)	Vdd= 5V, 4Mhz	-	3	5	mA
		Vdd= 3V, 4Mhz	-	1.5	2	mA	
	Idd2	Slow Mode (Internal low RC, Stop high clock)	Vdd=5V, ILRC 32Khz	-	20	40	uA
			Vdd=3V, ILRC 16Khz	-	5	10	uA
	Idd3	Sleep Mode	Vdd= 5V, 25°C	-	0.8	1.6	uA
			Vdd= 3V, 25°C	-	0.7	1.4	uA
	Idd4	Green Mode (No loading, Fcpu = Fosc/4, Watchdog Disable)	Vdd= 5V, 4Mhz	-	0.6	1.2	mA
			Vdd= 3V, 4Mhz	-	0.25	0.5	mA
Vdd=5V, ILRC 32Khz			-	15	30	uA	
Vdd=3V, ILRC 16Khz			-	3	6	uA	
Internal High Oscillator Freq.	Fihrc	Internal Hihg RC (IHRC)	25°C, Vdd= 5V,Fcpu = 1MHz	15.68	16	16.32	Mhz
LVD Voltage	Vdet0	Low voltage reset level, -20°C ~ + 85°C	1.6	2.0	2.2	V	
	Vdet1	Low voltage reset/indicator level. Fcpu = 1 MHz, -20°C ~ + 85°C	1.8	2.4	3	V	
	Vdet2	Low voltage reset/indicator level. Fcpu = 1 MHz, -20°C ~ + 85°C	2.5	3.6	4.5	V	
External oscillator (32KHz) match capacitor	C32K	Capacitor selection for crystal oscillator in 32KHz	20	27	33	pF	

“.” These parameters are for design reference, not tested.

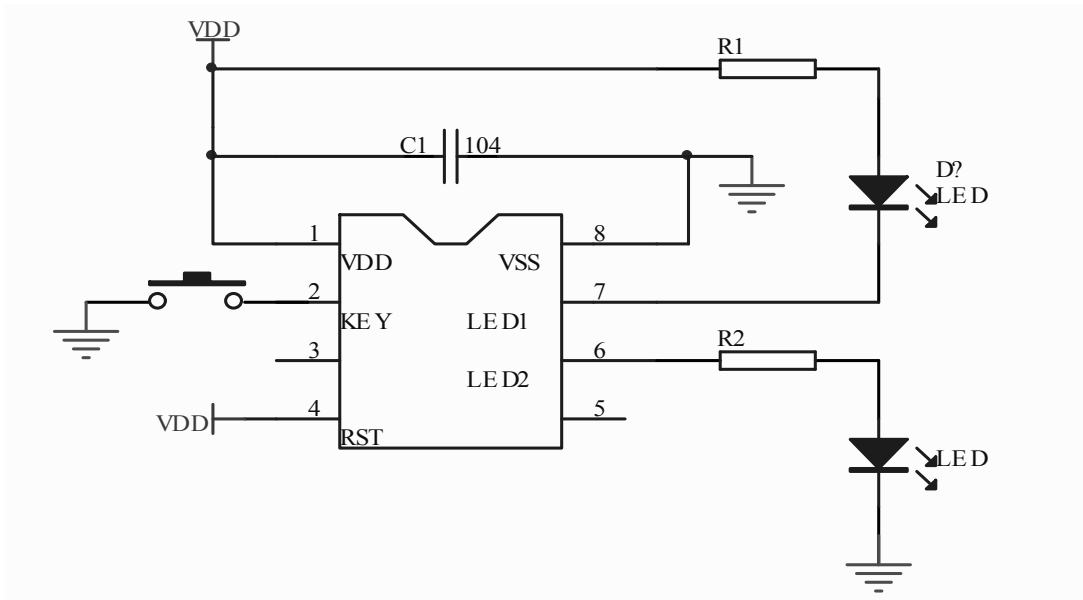
深圳市丽晶微电子科技有限公司

SHEN ZHEN ELITE CHIP MICROCUIT CO.,LTD

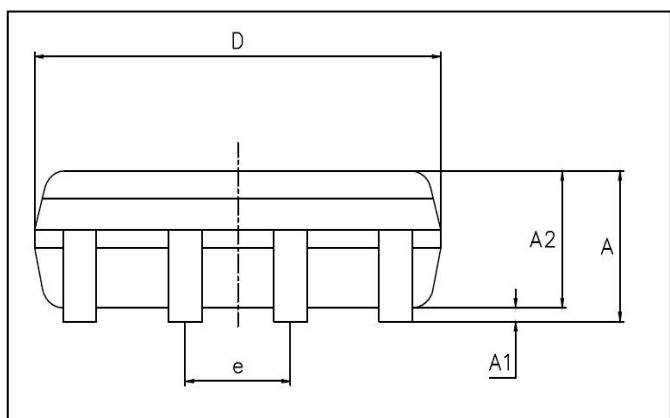
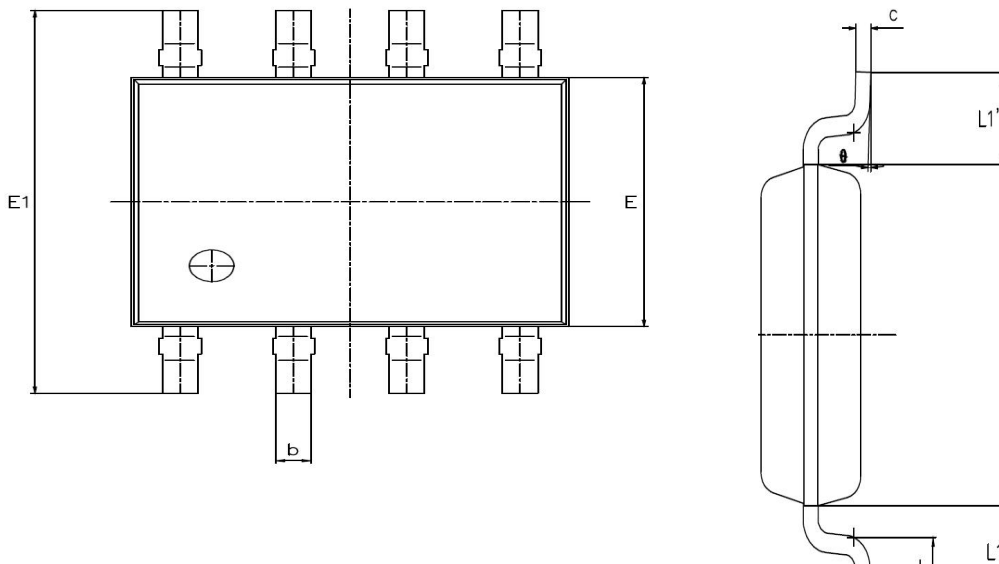
2018-5-23 日第二版本

客人要求改为高电平触发

4、参考电路图：



5、封装尺寸图



Symbol	Dimensions in millimeters		Dimensions in inches	
	min	max	min	max
A	1.4000	1.7000	0.0550	0.0670
A1	0.0500	0.1500	0.0020	0.0060
A2	1.3500	1.5500	0.0530	0.0610
b	0.3060	0.5060	0.0150	0.0170
c	0.1700	0.2500	0.0070	0.0100
D	4.7000	5.1000	0.1850	0.2000
E	3.8750	3.9250	0.1530	0.1550
E1	5.8000	6.2000	0.2280	0.2440
e	1.2700±0.13		0.0500±0.005	
L	0.6150	0.7650	0.0240	0.0300
L1	1.0250±0.2		0.0404±0.007	
L1-L1'	-	0.12	-	0.005
θ	0°	8°	0°	8°