

深圳市丽晶微电子科技有限公司

SHEN ZHEN ELITE CHIP MICROCUIT CO.,LTD

682A/32DD 2531 小时多种定时选择 IC

- 1、芯片工作电压 2.0-3.6V，
- 2、当 KEY1 开关脚一直接 VDD，上电可工作；（以选择定时 2 小时为例）则定时工作 2 小时后停止，如果定时过程中高电位消失，则输出马上停止，重新加上高电位则重新计时 2 小时，输出为高电平。

3、极限参数

ABSOLUTE MAXIMUM RATING

Supply voltage (Vdd).....	- 0.3V ~ 6.0V
Input in voltage (Vin).....	Vss - 0.2V ~ Vdd + 0.2V
Operating ambient temperature (Topr)	
EC25L31S,	0°C ~ + 70°C
Storage ambient temperature (Tstor)	- 40°C ~ + 125°C

4、电气参数

(All of voltages refer to Vss, Vdd = 3.0V, Fosc = 4MHz, Fcpu=1MHz, ambient temperature is 25°C unless otherwise note.)

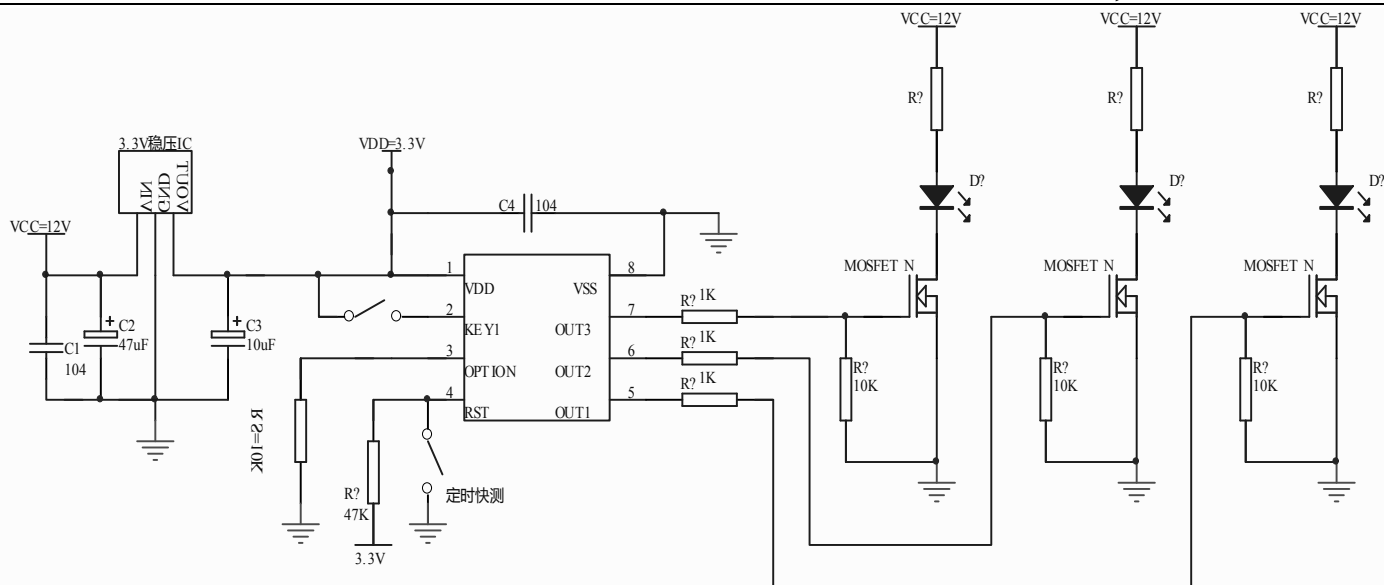
PARAMETER	SYM.	DESCRIPTION	MIN.	TYP.	MAX.	UNIT	
Operating voltage	Vdd	Normal mode. Fcpu = 2MHz (Fosc=4MHz)	1.8	-	3.6	V	
		Normal mode. Fcpu = 4MHz (Fosc=8MHz)	2.4	-	3.6	V	
RAM Data Retention voltage	Vdr		1.5	-	-	V	
*Vdd rise rate	Vpor	Vdd rise rate to ensure internal power-on reset	0.05	-	-	V/ms	
Input Low Voltage	ViL	All input ports and Reset pin. Vdd=3V	Vss	-	0.11Vdd	V	
Input High Voltage	ViH	All input ports and Reset pin. Vdd=3V	0.5Vdd	-	Vdd	V	
Input Leakage Current	Iil1	Reset pin. Vss ≤ Vin ≤ Vdd, Vdd = 3V	-2	-	2	uA	
	Iil2	I/O pin is at high-impedance. Vss ≤ Vin ≤ Vdd, Vdd = 3V	-1	-	1	uA	
I/O port pull-up resistor	Rup	Vin = Vss, Vdd = 3V	100	200	300	KΩ	
I/O port pull-down resistor	Rpd	Vin = Vss, Vdd = 3V	100	200	300	KΩ	
I/O port input leakage current	Ilekg	Pull-up resistor disable, Vin = Vdd, Vdd = 3V.	-	-	2	uA	
I/O output source current	IoH	Vo = Vdd - 0.5V, Vdd = 3V	5	-	-	mA	
I/O output sunk current	IoL	Vo = Vss + 0.5V, Vdd = 3V	5	-	-	mA	
INTn trigger pulse width	Tint0	INT0 interrupt request pulse width	2/fcpu	-	-	cycle	
Supply Current	Idd1	Run Mode (No loading)	Vdd= 3V, Fcpu = 4MHz	-	1	-	mA
			Vdd= 3V, Fcpu = 1MHz	-	0.5	-	mA
			Vdd= 3V, Fcpu = 455KHz/2	-	0.4	-	mA
			Vdd= 3V, Fcpu = 32KHz/2	-	80	-	uA
	Idd2	Sleep Mode	Vdd= 3V	-	1	2	uA
	Idd4	Green Mode (No loading, Watchdog Disable)	Vdd= 3V, IRC=8MHz	-	0.2	-	mA
			Vdd= 3V, Crystal=8MHz	-	0.3	-	mA
Internal High-Speed Oscillator	Firc	Internal RC (IRC) Vdd=1.8~3.6V	Operating mode. 25°C.	7.84	8	8.16	MHz
			Operating mode. 0°C~70°C.	7.68	8	8.32	MHz
LVD Detect Level	LVD18	25°C.	1.4	1.6	1.8	V	
		0°C~+70°C.	1.3	1.6	1.9	V	
	LVD22	25°C.	2.0	2.2	2.4	V	
		0°C~+70°C.	1.9	2.2	2.5	V	

“*” These parameters are for design reference, not tested.

5、参考电路图：

深圳市丽晶微电子科技有限公司

SHEN ZHEN ELITE CHIP MICROCUIT CO.,LTD



定时选择	不接RS	接RS
OUT1	1H	4H
OUT2	2H	5H
OUT3	3H	6H

2018-3-23